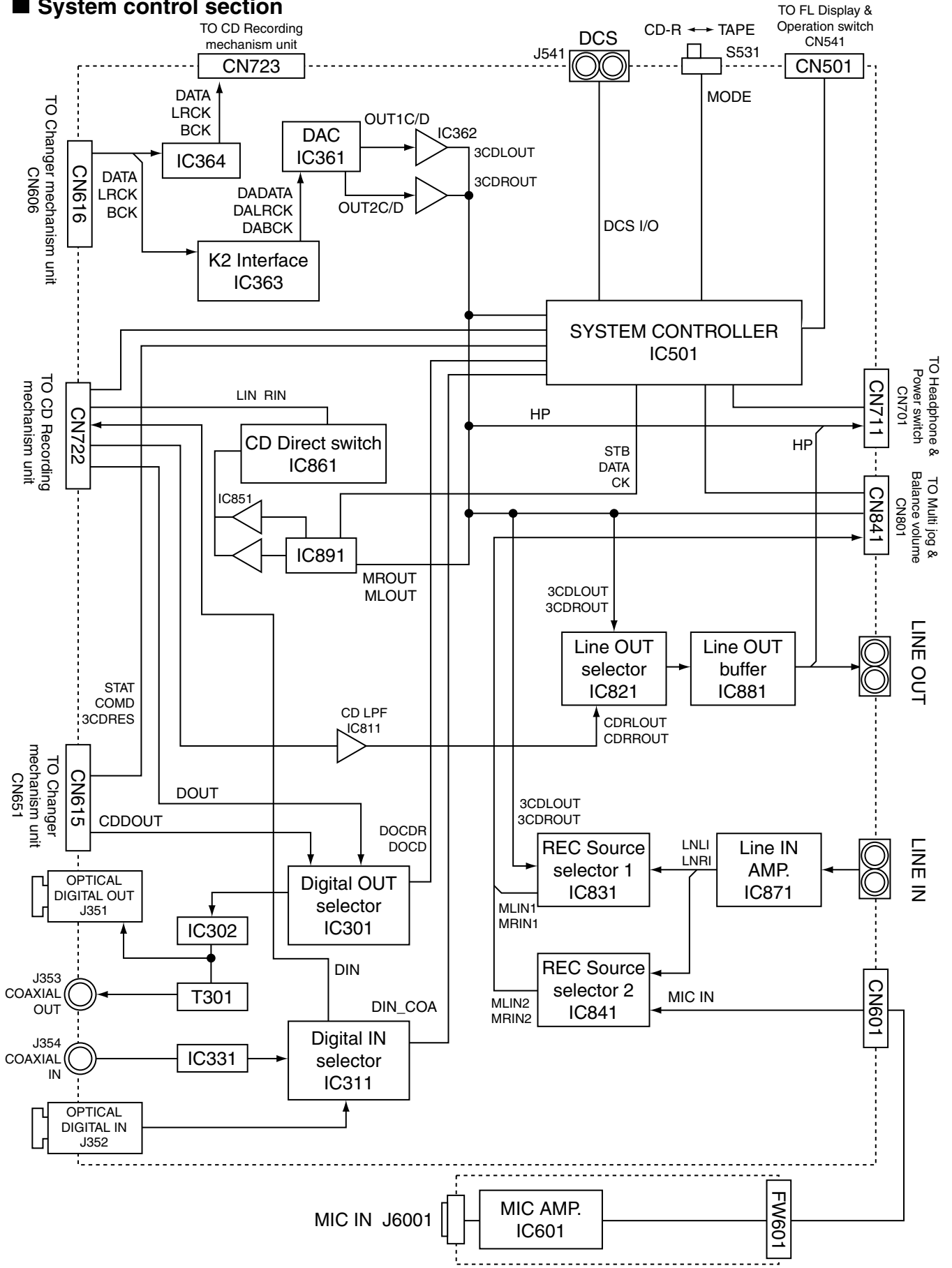
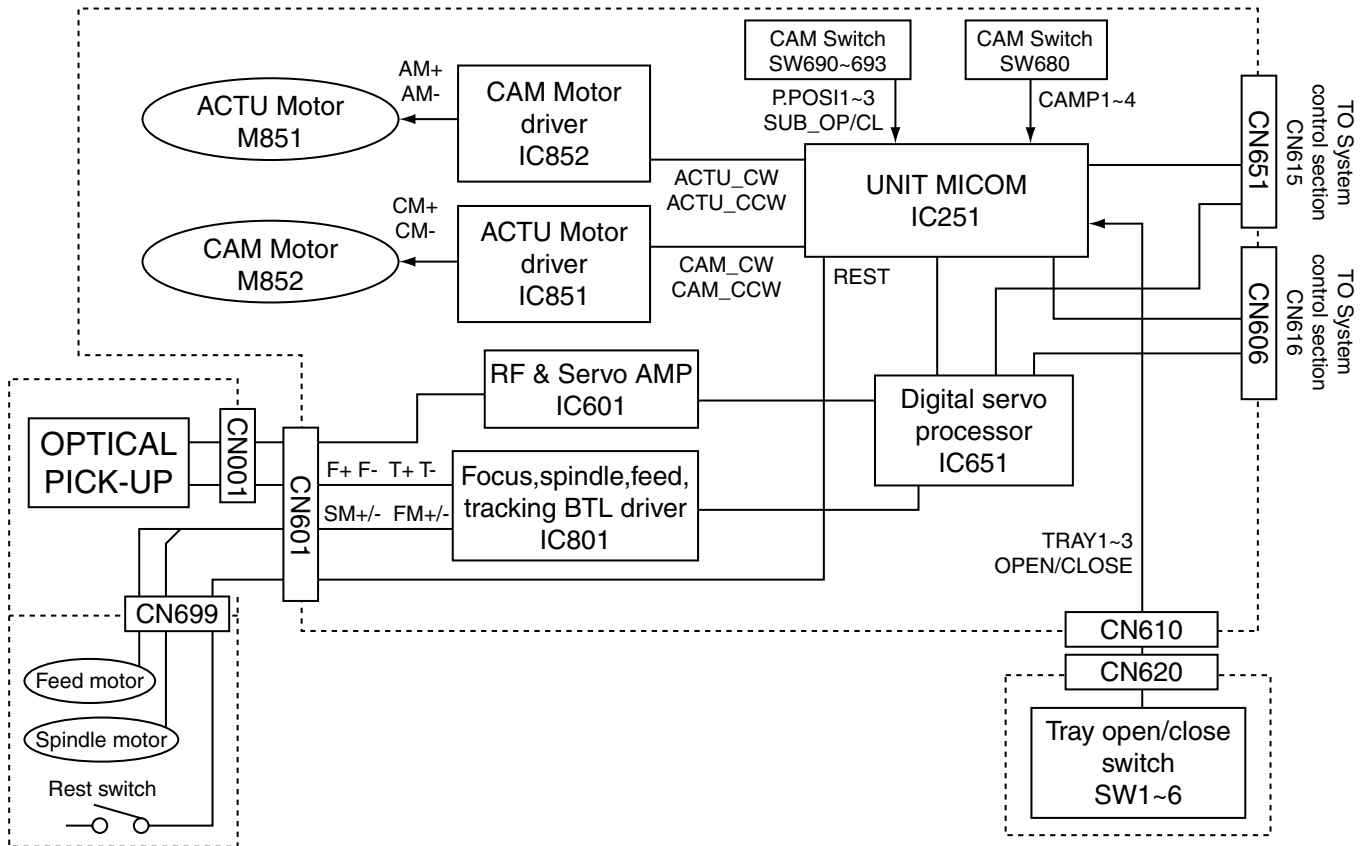


Block diagrams

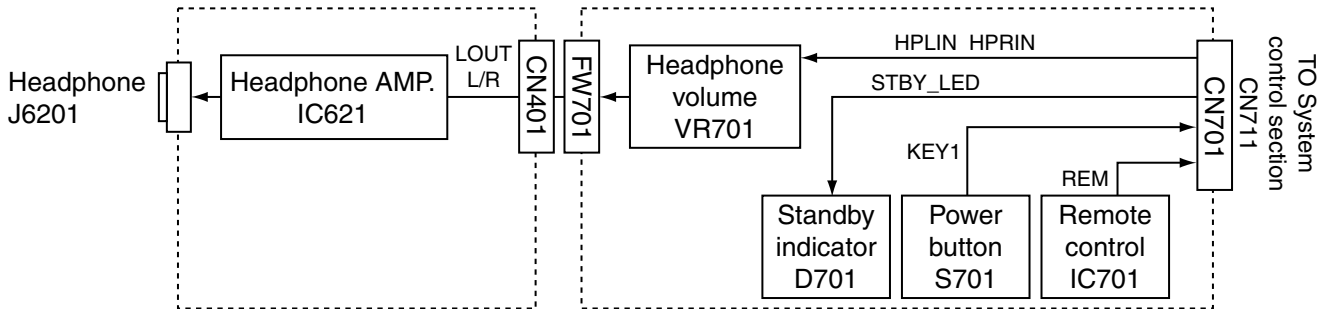
System control section



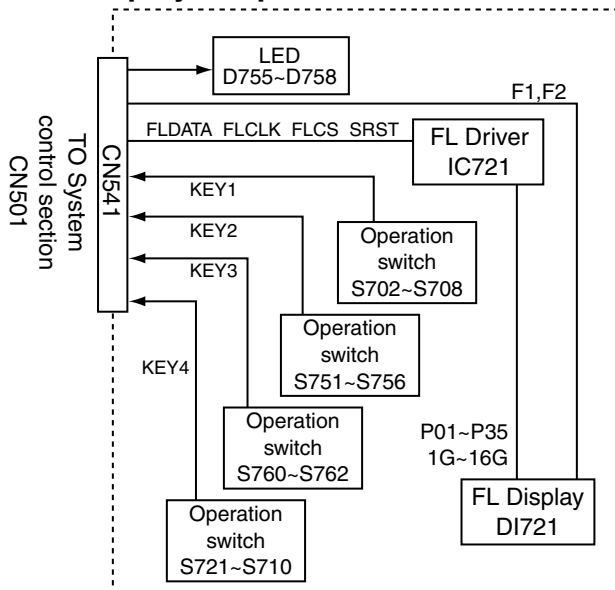
■ System control section



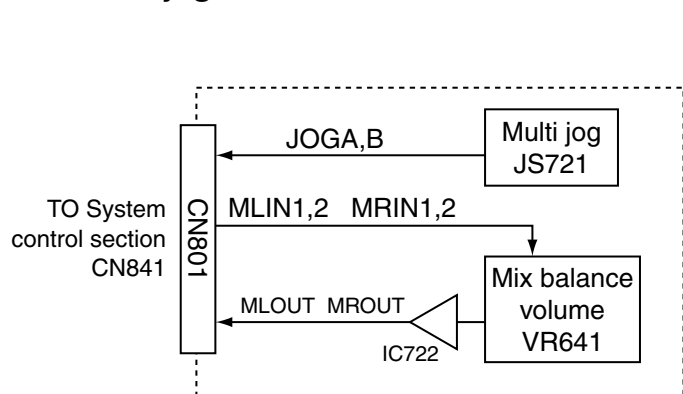
■ Headphone & power switch section



■ FL Display & Operation switch section

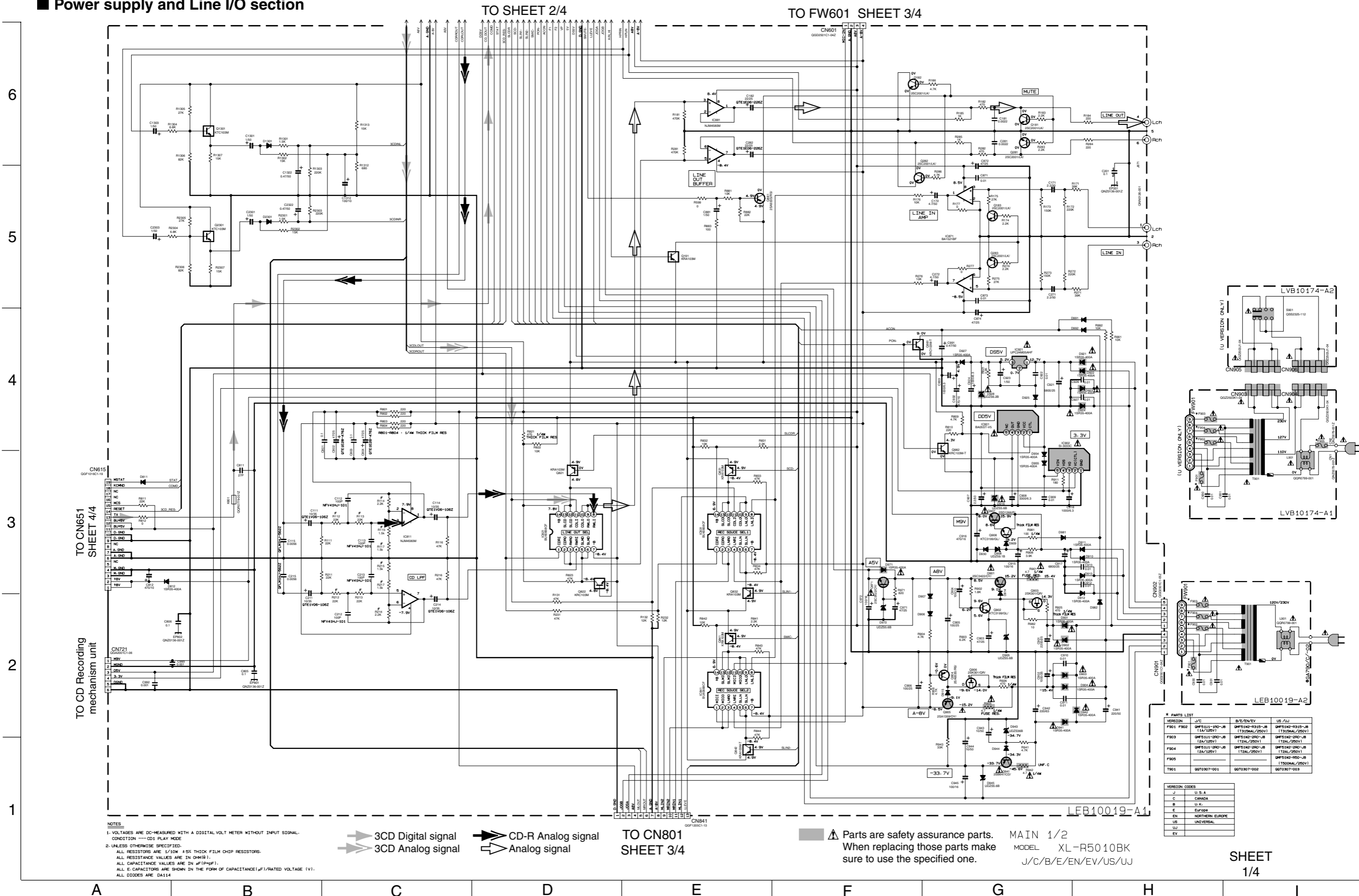


■ Multi jog & Balance volume section



Standard schematic diagrams

Power supply and Line I/O section



NOTES
 1. VOLTAGES ARE DC-MEASURED WITH A DIGITAL VOLT METER WITHOUT INPUT SIGNAL.
 CONDITION --- CD1 PLAY MODE
 2. UNLESS OTHERWISE SPECIFIED:
 ALL RESISTORS ARE 1/10W ±5% THICK FILM CHIP RESISTORS.
 ALL RESISTANCE VALUES ARE IN OHMS (Ω).
 ALL CAPACITANCE VALUES ARE IN pF (pF).
 ALL E-CAPACITORS ARE SHOWN IN THE FORM OF CAPACITANCE (μF)/RATED VOLTAGE (V).
 ALL DIODES ARE DA114

→ 3CD Digital signal
 - - - 3CD Analog signal
 → CD-R Analog signal
 - - - Analog signal

TO CN801
 SHEET 3/4

⚠ Parts are safety assurance parts.
 When replacing those parts make sure to use the specified one.

MAIN 1/2
 MODEL XL-R5010BK
 J/C/B/E/EN/US/UJ

* PARTS LIST

VERSION	J/C	B/E/EN/US	US /UJ
F301	OP07-190-JB (14/125V)	OP07-140-R315-JB (1315AL/250V)	OP07-140-R315-JB (1315AL/250V)
F303	OP07-190-JB (14/125V)	OP07-140-R315-JB (1315AL/250V)	OP07-140-R315-JB (1315AL/250V)
F304	OP07-190-JB (14/125V)	OP07-140-R315-JB (1315AL/250V)	OP07-140-R315-JB (1315AL/250V)
F305		OP07-140-R315-JB (1315AL/250V)	OP07-140-R315-JB (1315AL/250V)
T801	OP07-190-JB (14/125V)	OP07-140-R315-JB (1315AL/250V)	OP07-140-R315-JB (1315AL/250V)

VERSION CODES

VERSION	U.S.A.
J	U.S.A.
C	CANADA
B	U.K.
E	EUROPE
EN	NORTHERN EUROPE
US	UNIVERSAL
UJ	
EV	

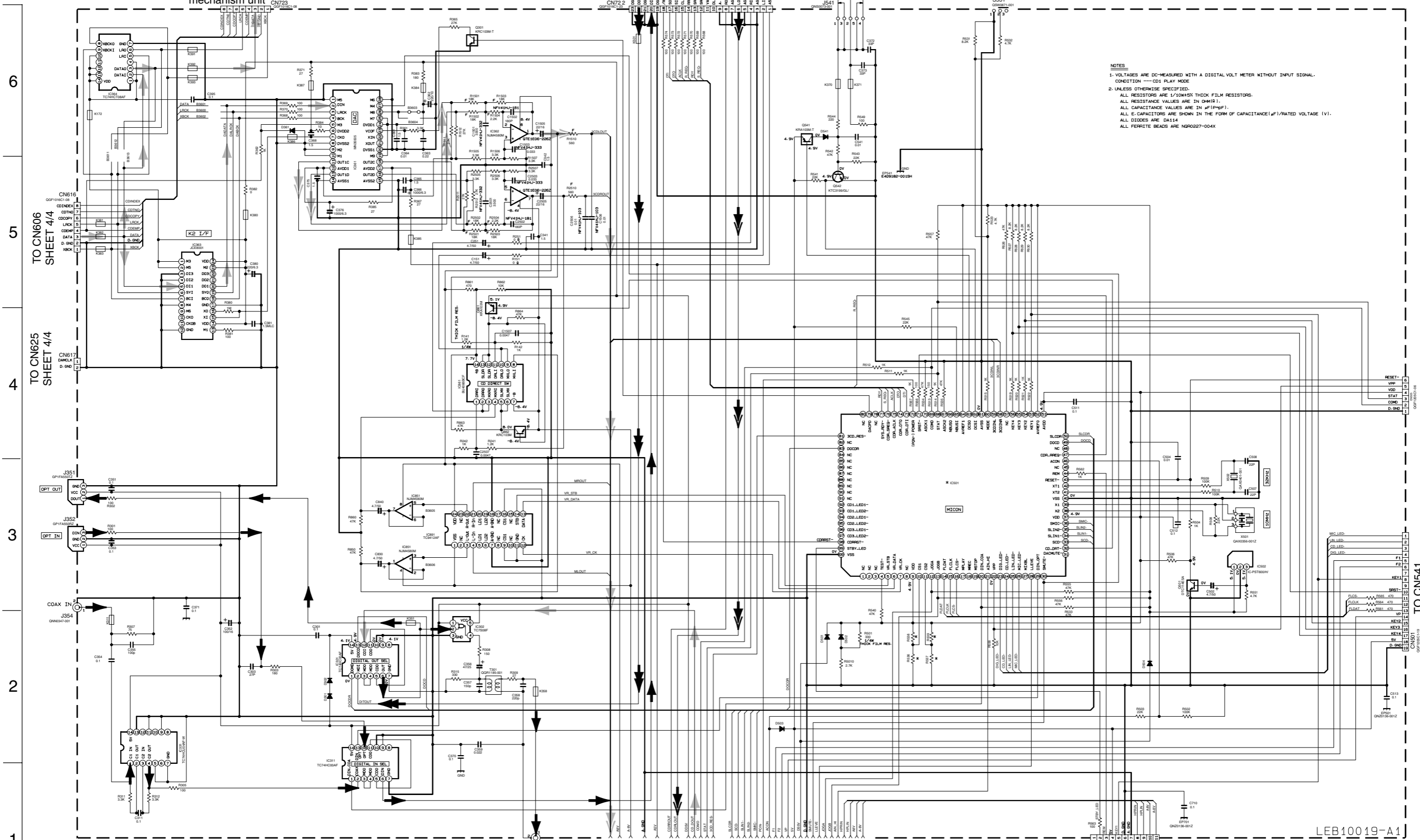
SHEET
 1/4

System control section

TO CD Recording mechanism unit

TO CD Recording mechanism unit

TO CD-R TAPE



- NOTES
1. VOLTAGES ARE DC-MEASURED WITH A DIGITAL VOLT METER WITHOUT INPUT SIGNAL.
 2. UNLESS OTHERWISE SPECIFIED:
 - CONDITION: CD1 PLAY MODE
 - ALL RESISTORS ARE 1/10W45X THICK FILM RESISTORS.
 - ALL RESISTANCE VALUES ARE IN OHM(S).
 - ALL CAPACITANCE VALUES ARE IN P(F)(PPF).
 - ALL CAPACITORS ARE SHOWN IN THE FORM OF CAPACITANCE (#1/RATED VOLTAGE (V)).
 - ALL DIODES ARE DA114
 - ALL FERRITE BEADS ARE NGR0227-004X

* PARTS LIST

VERSION	R536	R537	R538	R539
J/C	47K	N.I.	N.I.	47K
B/E/EN/VS/DU	47K	47K	N.I.	N.I.
DO	N.I.	47K	47K	N.I.

* 20001

VERSION	J	C	E/EN/DU
1113			
UPD7842146AF			
1114			
UPD7842146GF			
1115			
UPD7842146GF	Running Change		

TO SHEET 1/4

- ➡ 3CD Digital signal
- ➡ 3CD Analog signal
- ➡ CD-R Digital signal
- ➡ CD-R Analog signal
- ➡ Digital signal

TO CN701 SHEET 3/4

MAIN 2/2 MODEL XL-R5010BK J/C/B/E/EN/U

SHEET 2/4

FOR FLASH WRITING TO CN541 SHEET 3/4

6

5 TO CN606 SHEET 4/4

4 TO CN625 SHEET 4/4

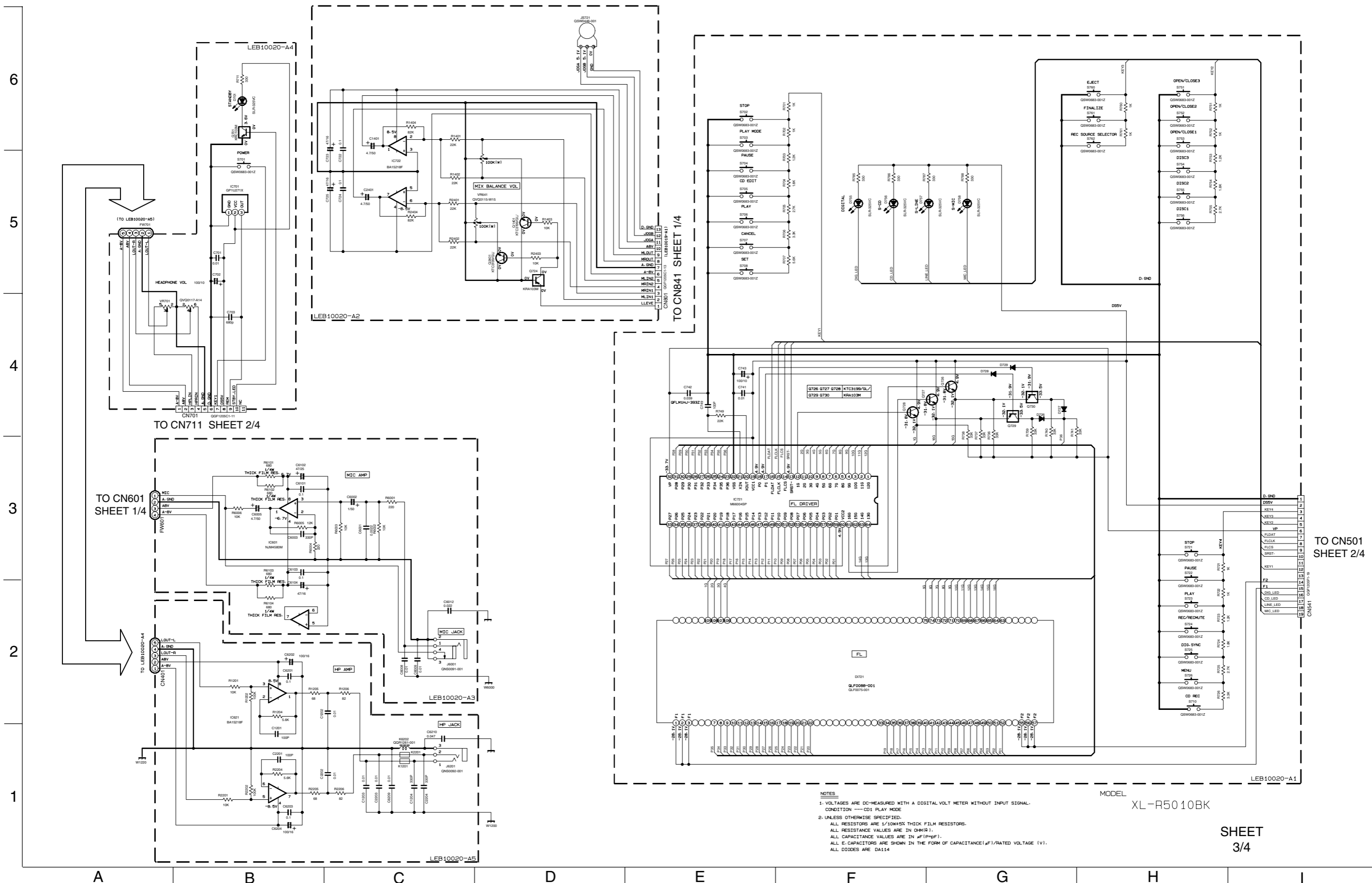
3

2

1

A B C D E F G H I

FL Display and operation switch section

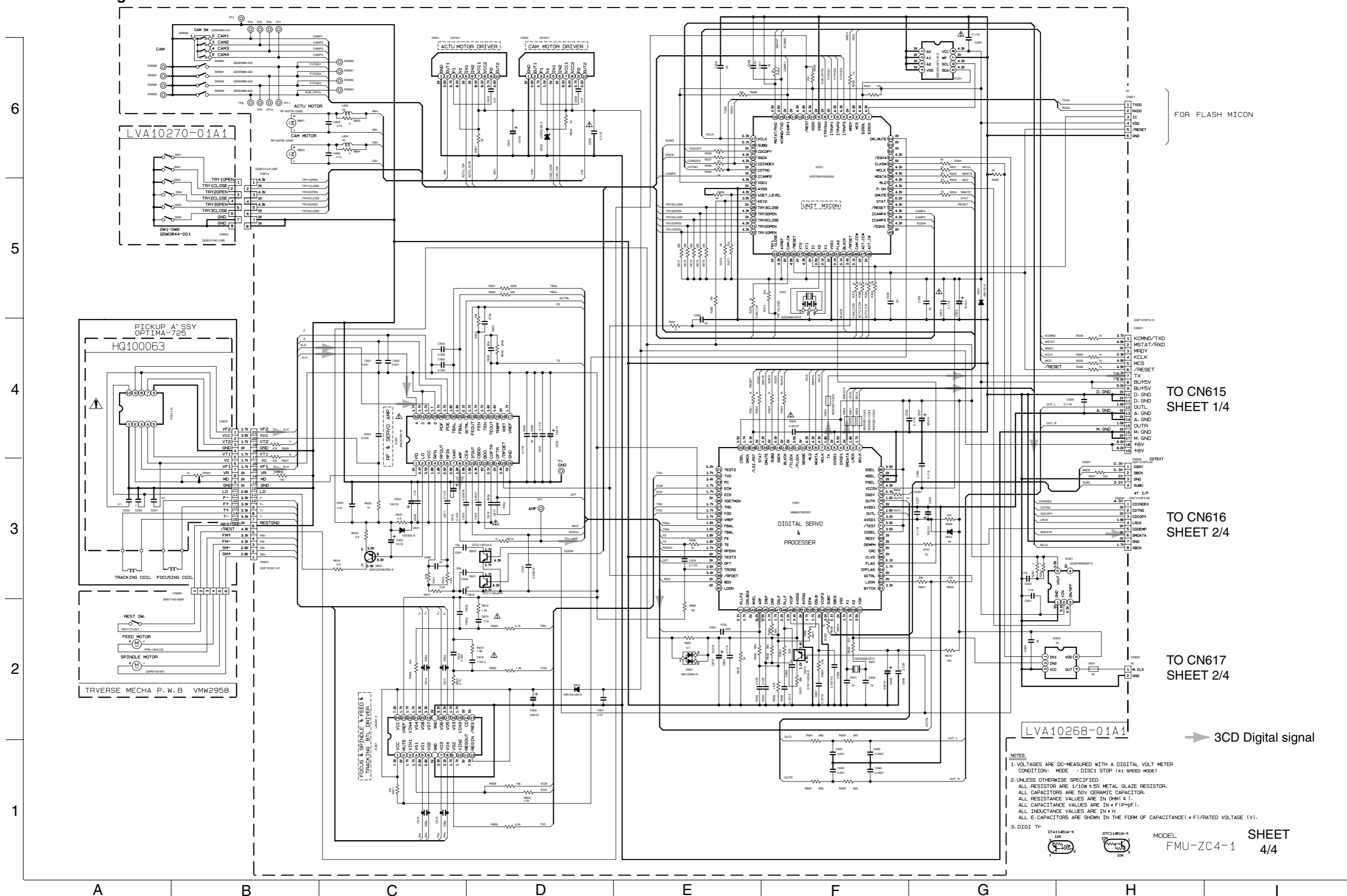


NOTES
 1. VOLTAGES ARE DC-MEASURED WITH A DIGITAL VOLT METER WITHOUT INPUT SIGNAL.
 CONDITION — CD1 PLAY MODE.
 2. UNLESS OTHERWISE SPECIFIED.
 ALL RESISTORS ARE 1/10W±5% THICK FILM RESISTORS.
 ALL RESISTANCE VALUES ARE IN Ω(Ω|K|).
 ALL CAPACITANCE VALUES ARE IN μF(P-PF).
 ALL C CAPACITORS ARE SHOWN IN THE FORM OF CAPACITANCE(μF|/RATED VOLTAGE (V)).
 ALL DIODES ARE DA114

MODEL XL-R5010BK

SHEET 3/4

3CD Changer mechanism section



FOR FLASH MICON

TO CN615 SHEET 1/4

TO CN616 SHEET 2/4

TO CN617 SHEET 2/4

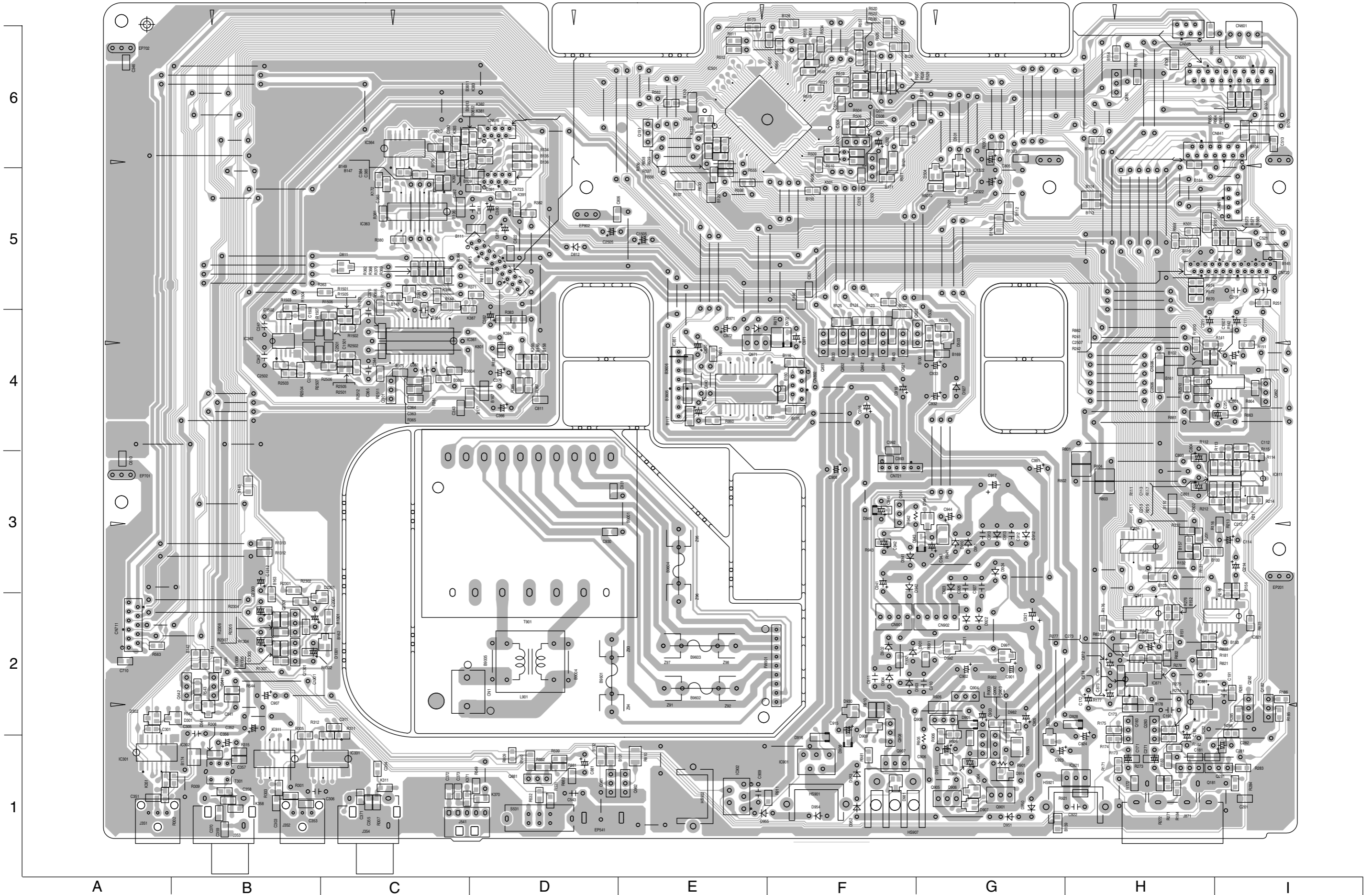
3CD Digital signal

- NOTES
- VOLTAGES ARE DC-MEASURED WITH A DIGITAL VOLT METER (CONDITION: MODE 1 DISC1 STOP (x1 SPEED MODE)).
 - UNLESS OTHERWISE SPECIFIED: ALL RESISTOR ARE 1/10W ± 5% METAL GLAZE RESISTOR. ALL CAPACITORS ARE 50V CERAMIC CAPACITOR. ALL RESISTANCE VALUES ARE IN Ω(M Ω). ALL CAPACITANCE VALUES ARE IN pF(pF). ALL INDUCTANCE VALUES ARE IN μH. ALL E-CAPACITORS ARE SHOWN IN THE FORM OF CAPACITANCE(μF)/RATED VOLTAGE (V).
 - DIGI TP

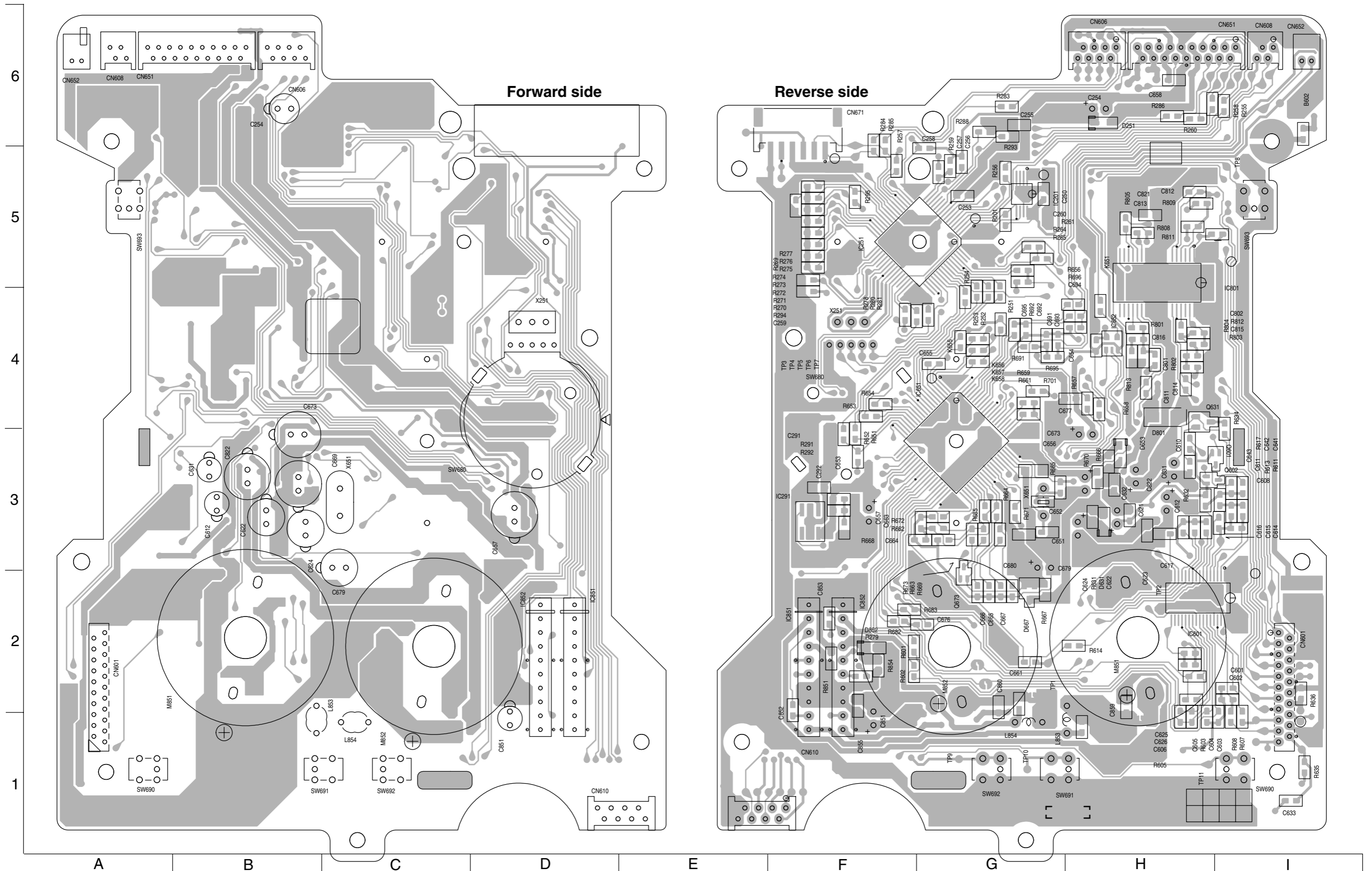
MODEL FMU-ZC4-1 SHEET 4/4

Printed circuit boards

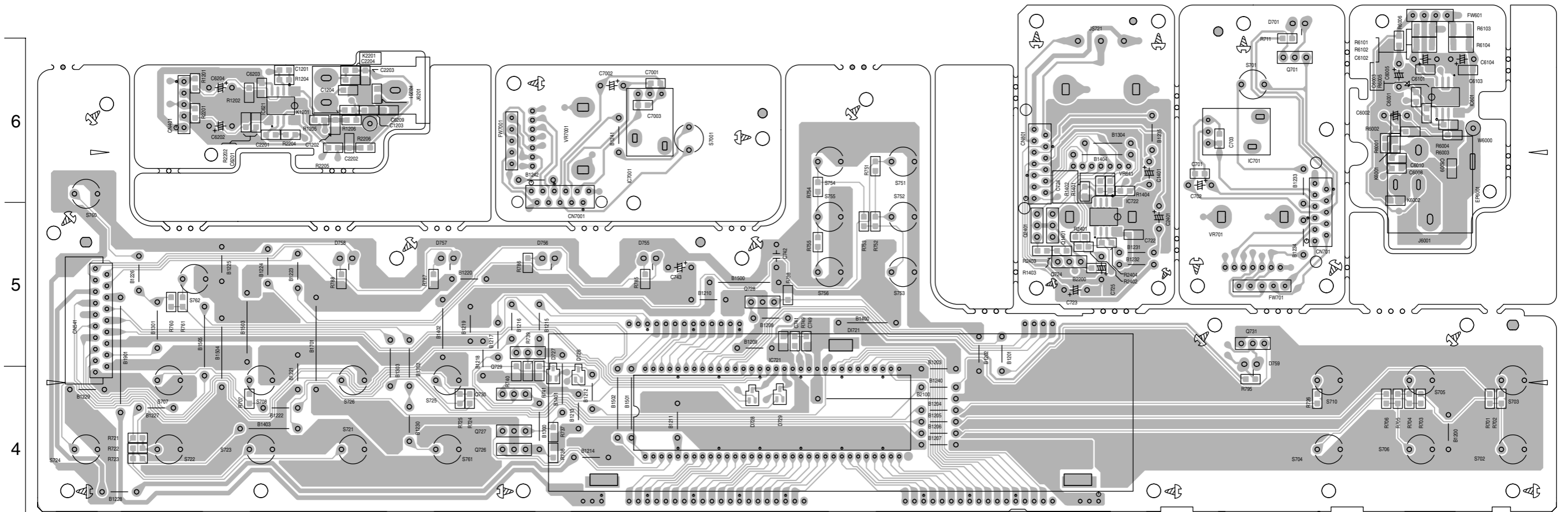
Main board



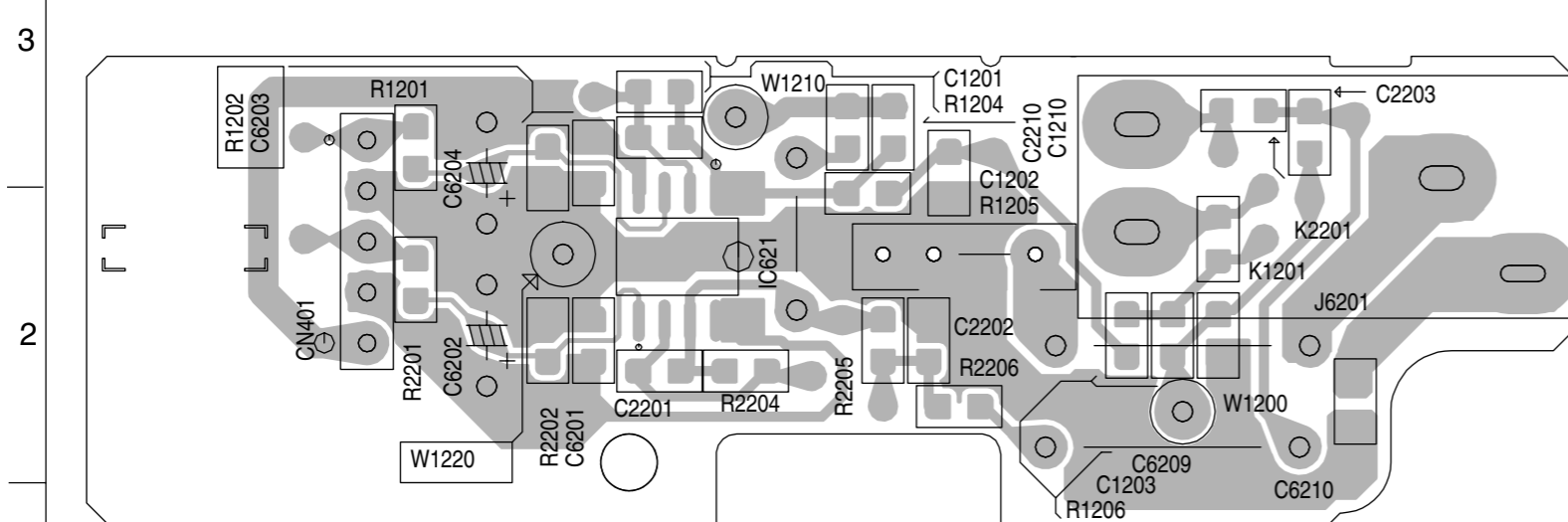
■ Changer mechanism & servo control board



■ Front board



■ Headphone amplifire board



■ Detection switch board

